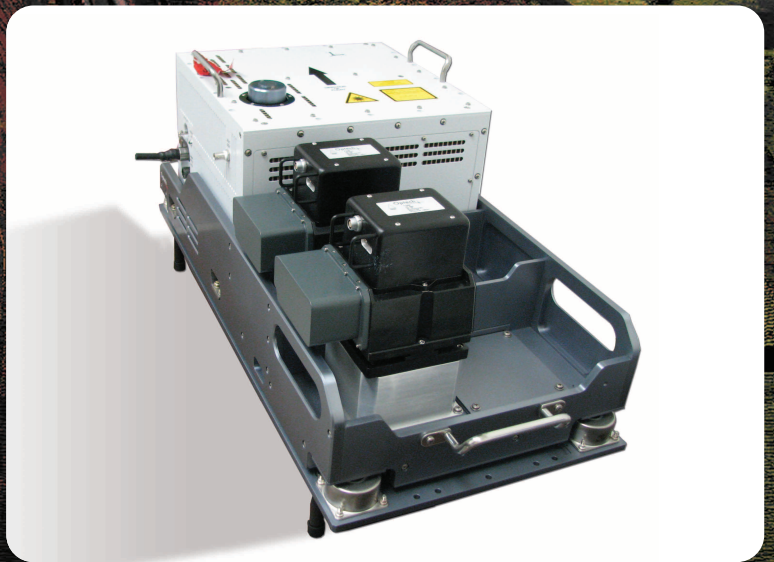


New!



New ALTM Multi-Station Sensor Mounts

ORION M/C 300

Leap over your competition with a new ALTM multi-station sensor mount. Fully compatible with the ALTM Orion, our peripheral sensor mounts enable scalable, tightly integrated sensor options based on Optech's diverse camera product line. Create custom off-the-shelf sensor suites that differentiate you from your competitors—and add capability quickly and easily when needed, without the hassles of further mount and aircraft modifications.

Available in two models, the mounts are based on a unique adapter plate system that supports the installation of a wide range of cameras in a variety of orientations, including nadir and/or oblique mounting. Get unmatched sensor flexibility and easy installation, all without sacrificing platform rigidity or data integrity. Coupled with the new ALTM Orion M/C 300 sensor, Optech's multi-station mounts deliver tightly integrated sensor suites for powerful, highly scalable mapping solutions.

Kinematic Mounting System

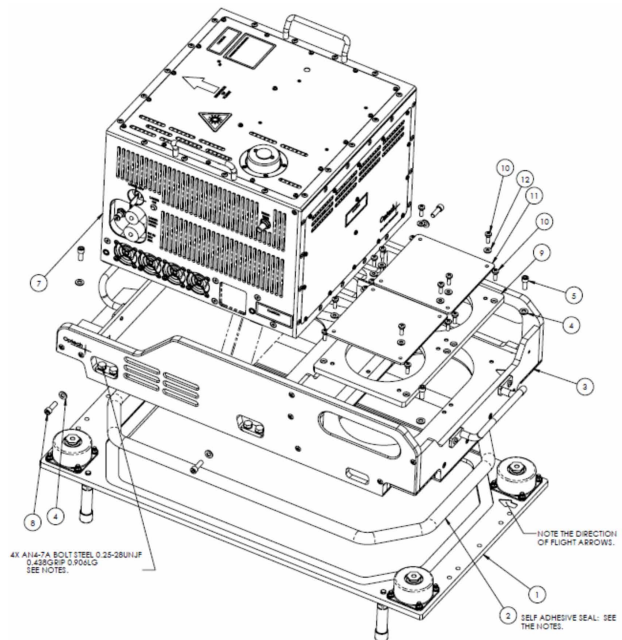
Optech's patented kinematic mounting system enables cameras to be removed and re-installed rapidly without affecting boresight accuracy.

Adapter Plate System

A unique plate system supports any combination of Optech cameras, camera shutter controllers and IMUs, for maximum flexibility and configuration options.

Removable Vibration-Dampening System

Tuned for either aircraft or helicopter installations, the vibration-dampening system detaches quickly and easily—for rapid deployment of the sensor bed to alternative platforms without affecting boresight accuracy.



Optech Incorporated

300 Interchange Way, Vaughan ON, Canada L4K 5Z8

Tel: +1 905 660 0808 Fax: +1 905 660 0829

www.optech.com

© Optech Incorporated. E&OE. Information subject to change without notice. Printed in Canada. 110923

Optech
Lidar Imaging Solutions